

4

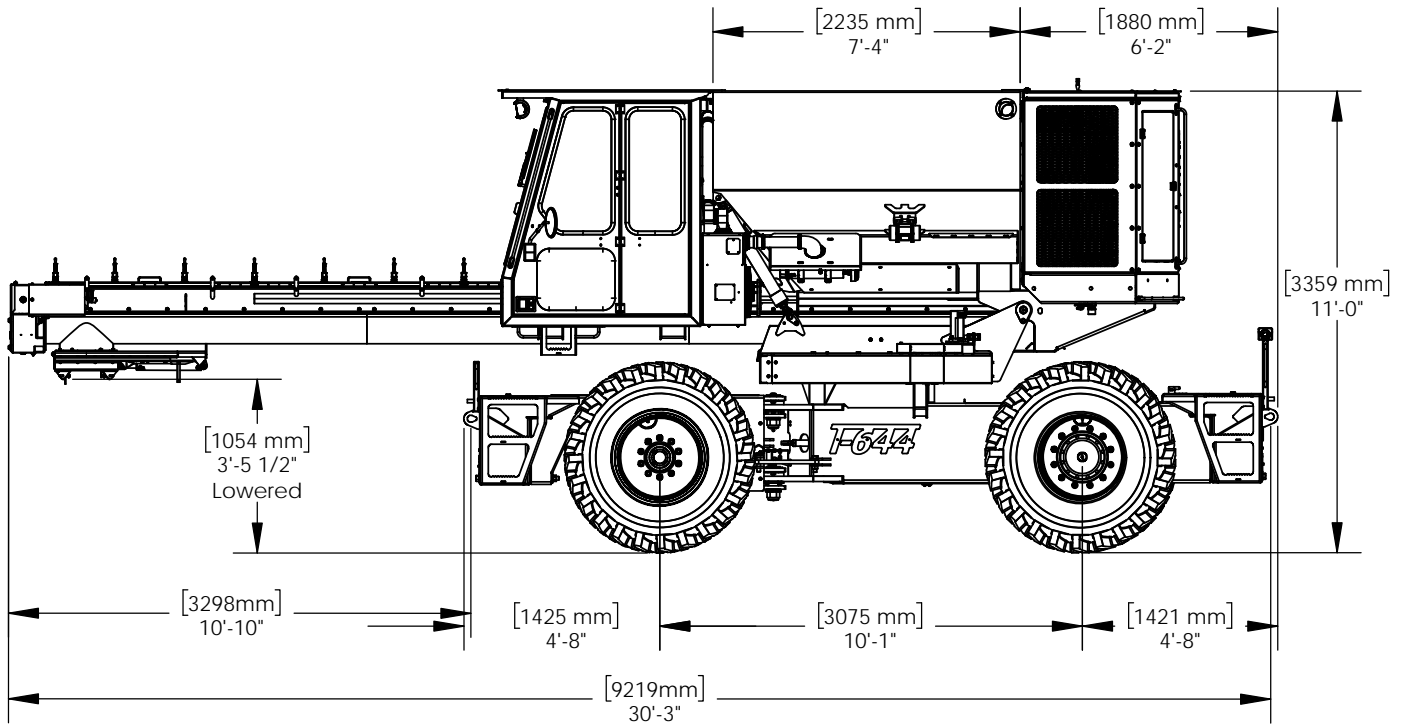
3

2

1

D

D

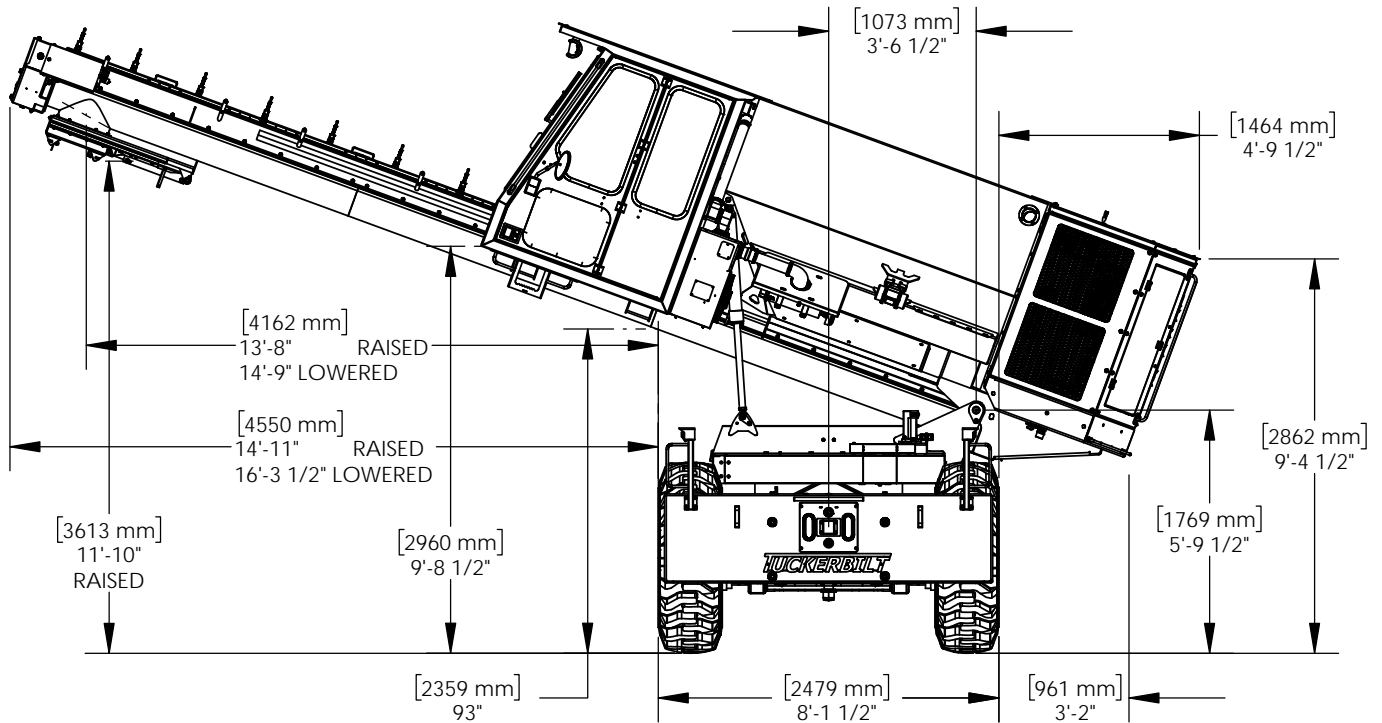


C

C

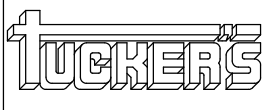
B

B



A

A

T-644 Overall Dimensions	DR. BY M.C.T.
	DATE 9/11/20
Specifications, descriptions and illustrative material in this literature are as accurate as known at the time of publication, but are subject to change without notice.	

4

3

2

1

D

D

C

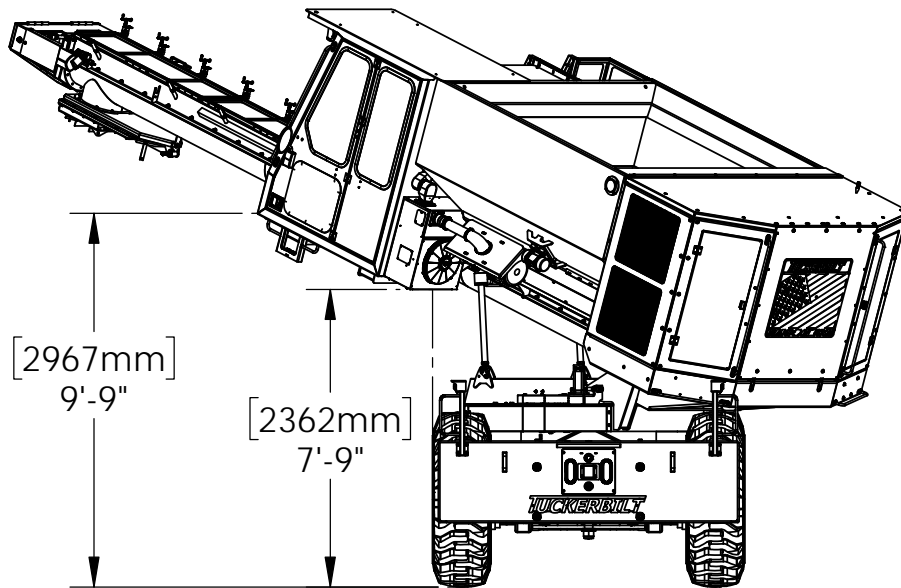
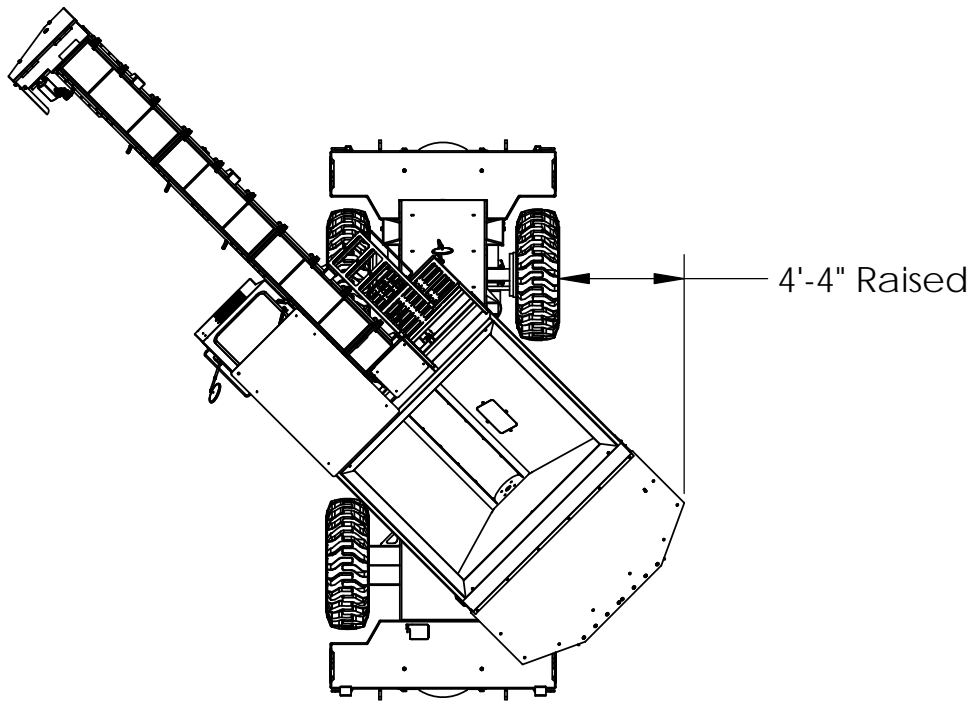
C

B

B

A

A



T-644 Overall Dimensions	DR. BY M.C.T.
	DATE 9/11/20
Specifications, descriptions and illustrative material in this literature are as accurate as known at the time of publication, but are subject to change without notice.	